



Assembly video:  
<https://q-ne.ws/3coUd2i>

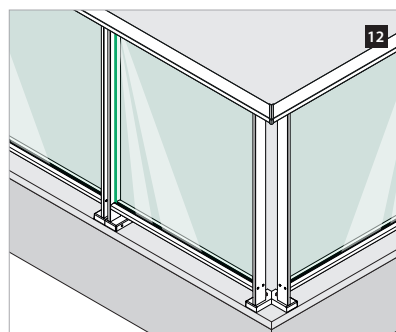
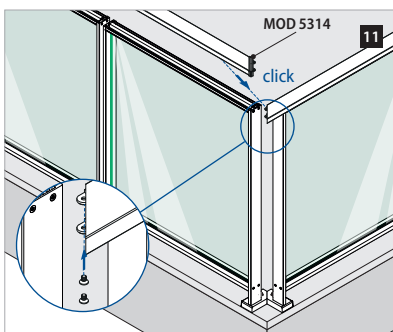
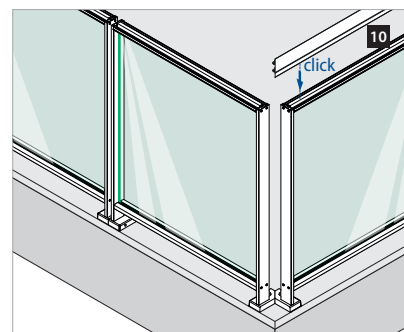
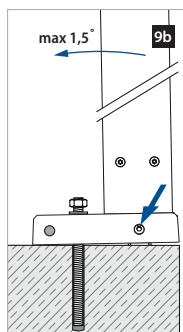
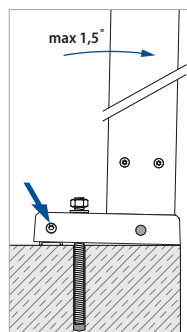
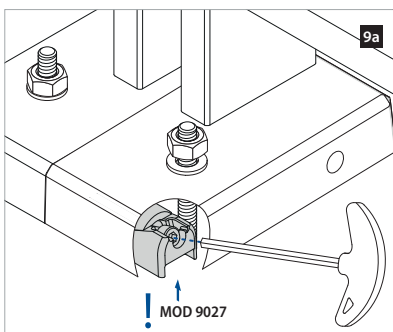
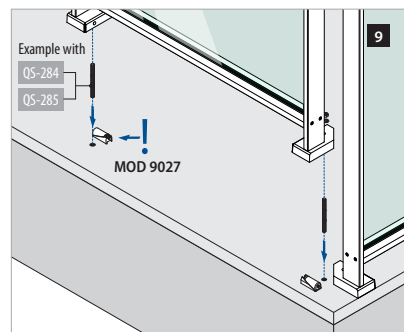
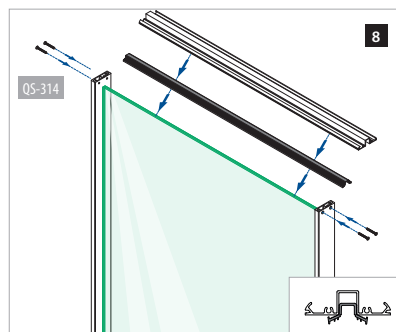
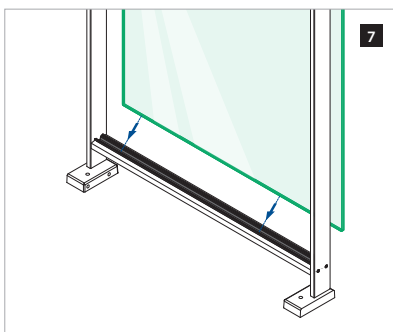
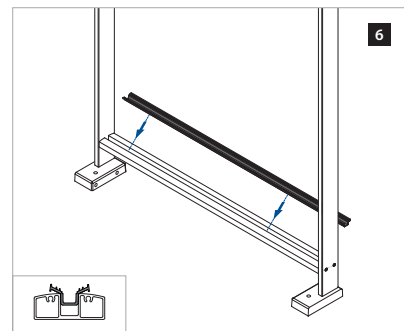
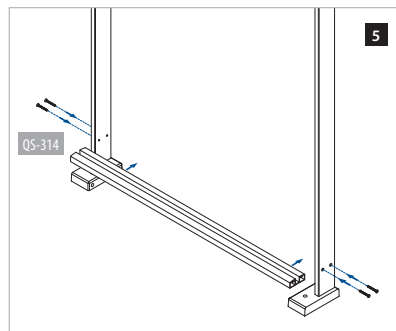
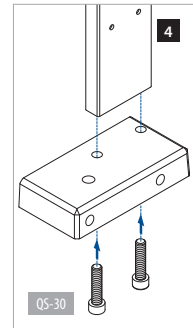
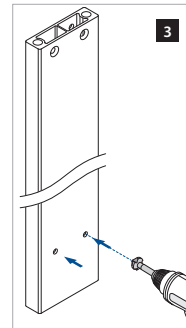
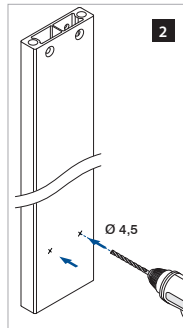
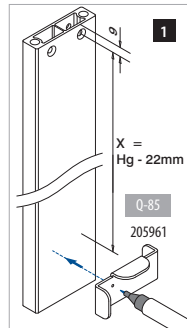
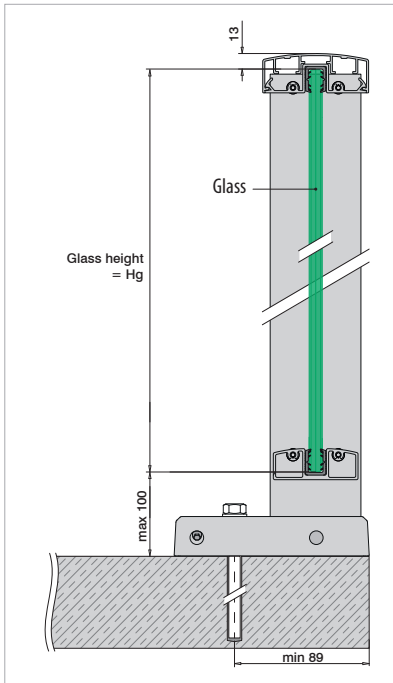
# ASSEMBLY GUIDE

169026-012-xx-xx

Posts

## EASY ALU - Base flanges, top mount

Q-INFO MOD 9026





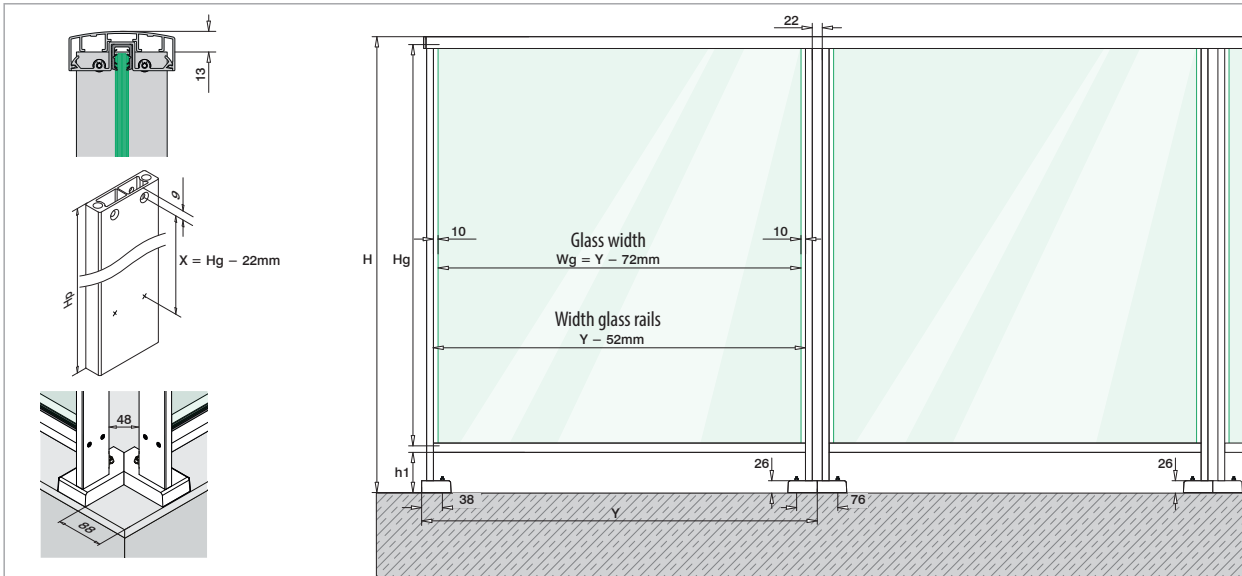
# ASSEMBLY GUIDE

169026-009-xx-xx

Posts

## EASY ALU - Base flanges, top mount

Q-INFO MOD 9026



### Calculations – baluster posts, top mount

Railing height (H) – 35 mm = baluster post height (Hp)

Railing height (H)	Baluster post height (Hp)
900 mm	865 mm
1000 mm	965 mm
1100 mm	1065 mm
1200 mm	1165 mm

### Glass calculation

Glass width (Wg) = Y – 72 mm  
 Glass height (Hg) = railing height (H) – h1 – 12 mm

### Distance drill holes in baluster post (X)

X = glass height (Hg) – 22 mm

Posts

## EASY ALU - Mounting options with mid-rail

Q-INFO MOD 5952

