



Assembly video:
<https://q-ne.ws/38ym27j>

ASSEMBLY GUIDE

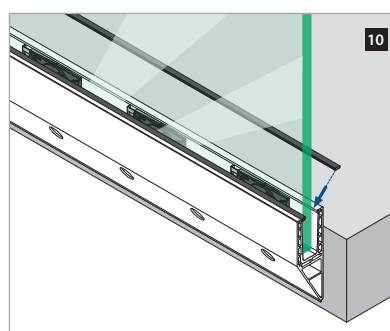
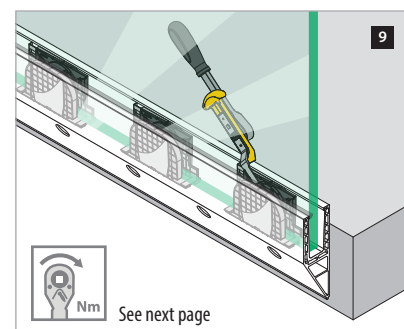
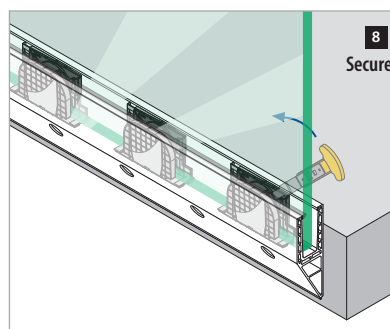
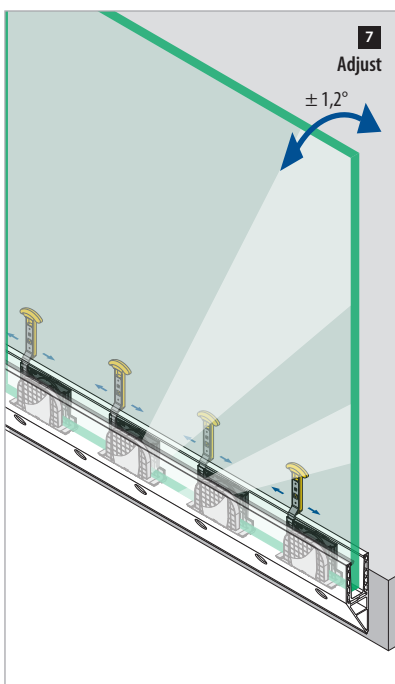
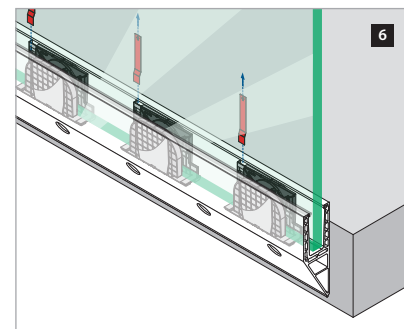
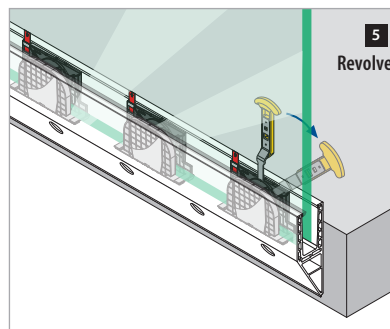
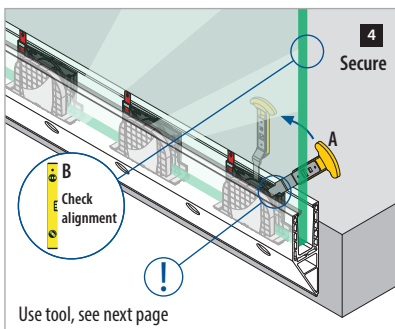
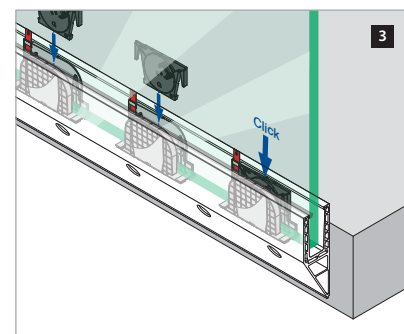
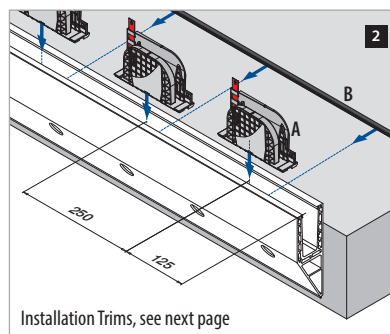
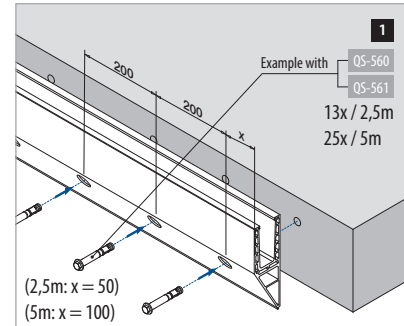
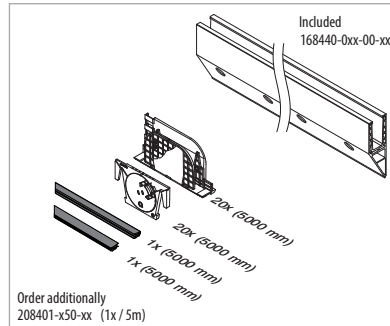
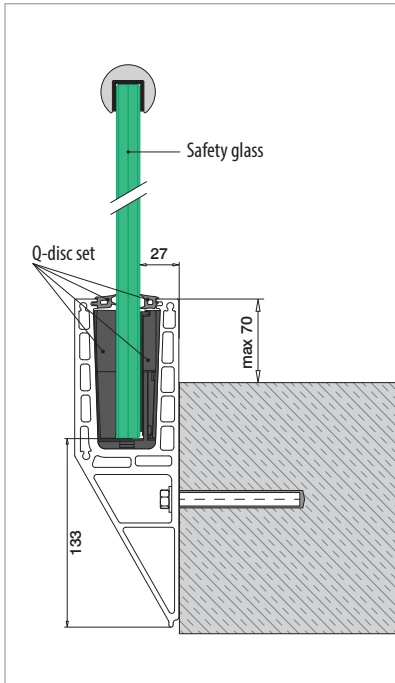
168440-0xx-00-xx

Railing base

EASY GLASS® PRIMEY - Base shoe, fascia mount

For adjustable glass fixation

Q-INFO MOD 8440



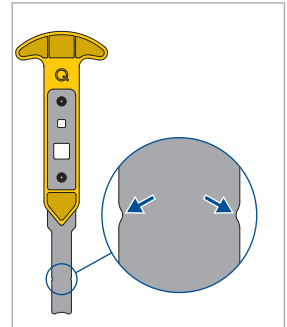
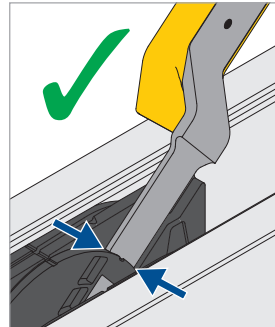
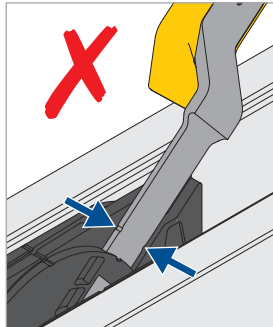
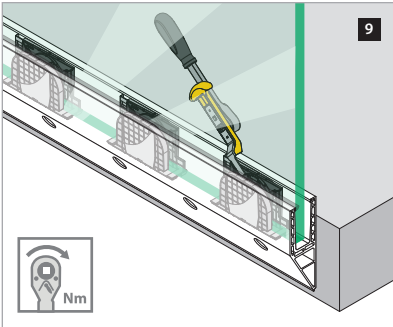


Q-disc® System

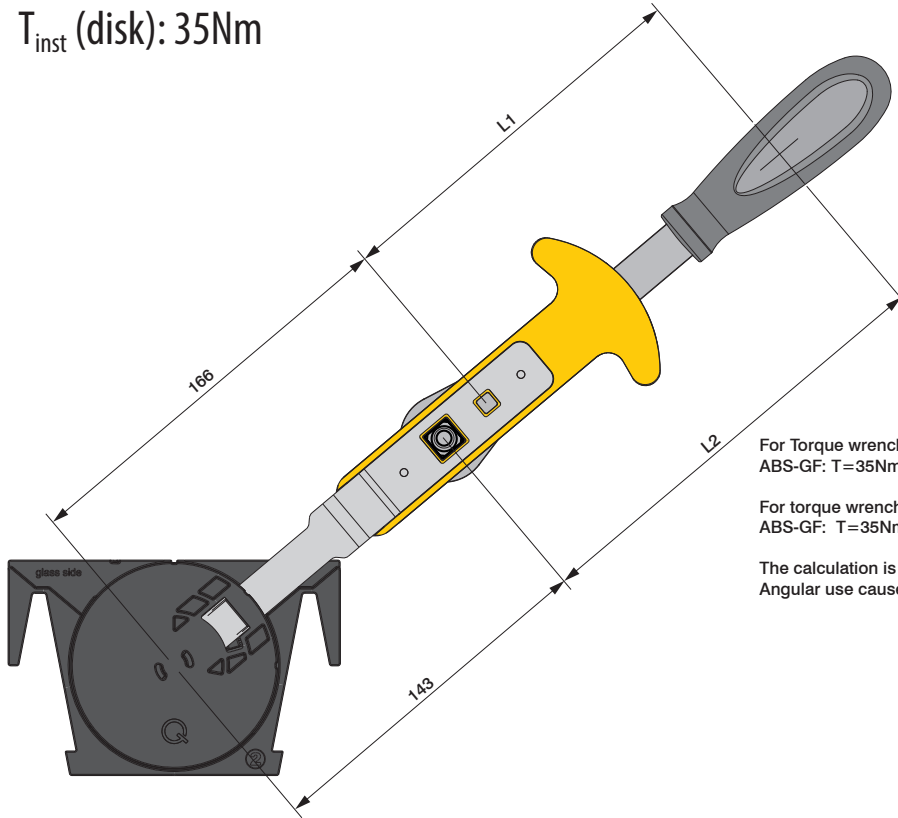
Q-disc and inlay tool

For adjustable glass fixation

Q-INFO MOD 8401 / 1000



T_{inst} (disk): 35Nm



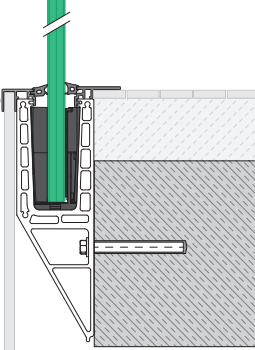
For Torque wrench 1/4":
ABS-GF: $T=35Nm * L1 / (L1 + 166mm)$


For torque wrench 1/2":
ABS-GF: $T=35Nm * L2 / (L2 + 143mm)$

The calculation is valid for straight-lined use.
Angular use causes different torque.

Railing base

EASY GLASS® PRIMEY - Trims, fascia mount





Assembly video:
<https://q-ne.ws/3vdpoq1>

